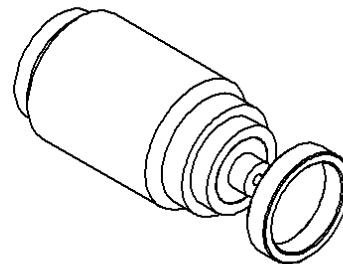
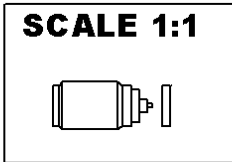
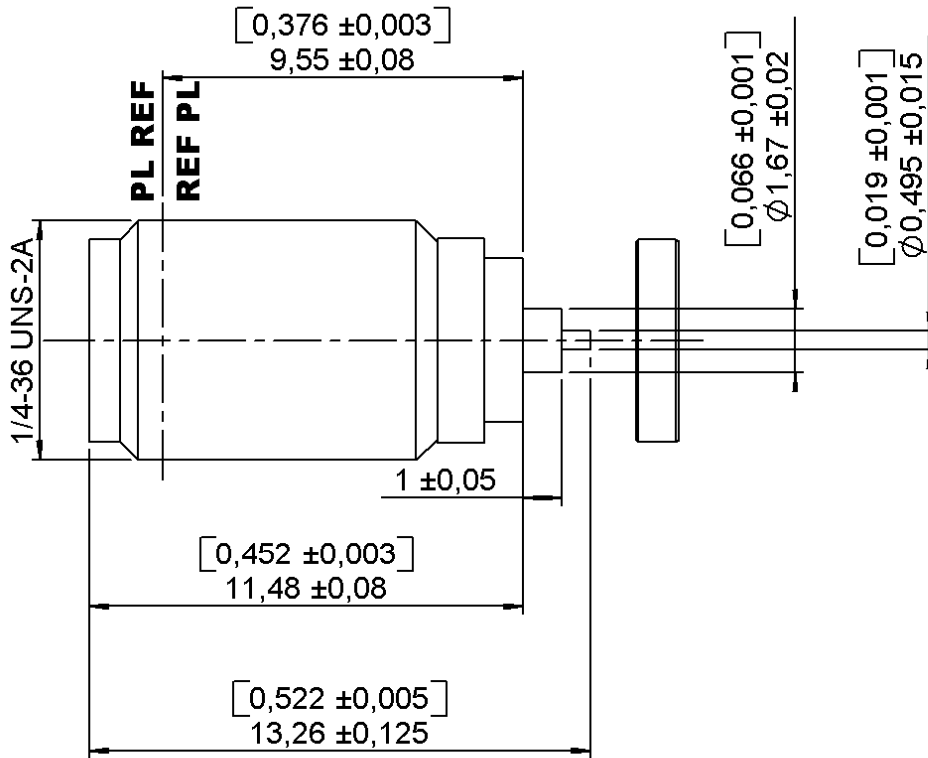


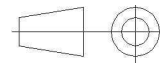
SCREW ON FEMALE RECEPTACLE
HERMETIC-WITH CYLINDRICAL CONTACT

R125.609.000

Series : SMA



All dimensions are in mm.



| COMPONENTS | MATERIALS | PLATINGS (µm) |
|----------------|------------------|------------------------|
| BODY | STAINLESS STEEL | GOLD 0.5 OVER NICKEL 2 |
| CENTER CONTACT | BERYLLIUM COPPER | GOLD 1.3 OVER NICKEL 2 |
| OUTER CONTACT | - | - |
| INSULATOR | PTFE | - |
| GASKET | ALUMINIUM ALLOY | - |
| OTHERS PARTS | BERYLLIUM COPPER | GOLD 1.3 OVER NICKEL 2 |
| . | . | . |
| . | . | . |

Issue : 0837 D

In the effort to improve our products, we reserve the right to make changes judged to be necessary.



SCREW ON FEMALE RECEPTACLE
HERMETIC-WITH CYLINDRICAL CONTACT

R125.609.000

Series : SMA

PACKAGING

SPECIFICATION

| Standard | Unit | Other |
|----------|------|-------------------|
| 1 | - | Contact us |

ELECTRICAL CHARACTERISTICS

ENVIRONMENTAL

| | | |
|---------------------------------|---------------|------------------------------|
| Impedance | | 50 Ω |
| Frequency | | 0-26.5 GHz |
| VSWR | 1.10 + | 0,0100 x F(GHz) Maxi |
| Insertion loss | | 0.12 √F(GHz) dB Maxi |
| RF leakage | - (| 100 - F(GHz)) dB Maxi |
| Voltage rating | | 500 Veff Maxi |
| Dielectric withstanding voltage | | 1000 Veff mini |
| Insulation resistance | | 5000 MΩ mini |

| | |
|-----------------------|-----------------------|
| Operating temperature | -65/+165 ° C |
| Hermetic seal | 10-5 Atm.cm3/s |
| Panel leakage | IP68 |

OTHERS CHARACTERISTICS

Assembly instruction

Others :
 Storage temperature : ambient

MECHANICAL CHARACTERISTICS

| | | |
|----------------------------|---------------|-------------|
| Center contact retention | | |
| Axial force – Mating end | 27 | N mini |
| Axial force – Opposite end | 27 | N mini |
| Torque | 2.8 | N.cm mini |
| Recommended torque | | |
| Mating | NA | N.cm |
| Panel nut | 280 | N.cm |
| Mating life | 500 | Cycles mini |
| Weight | 1,7400 | g |

Issue : 0837 D

In the effort to improve our products, we reserve the right to make changes judged to be necessary.

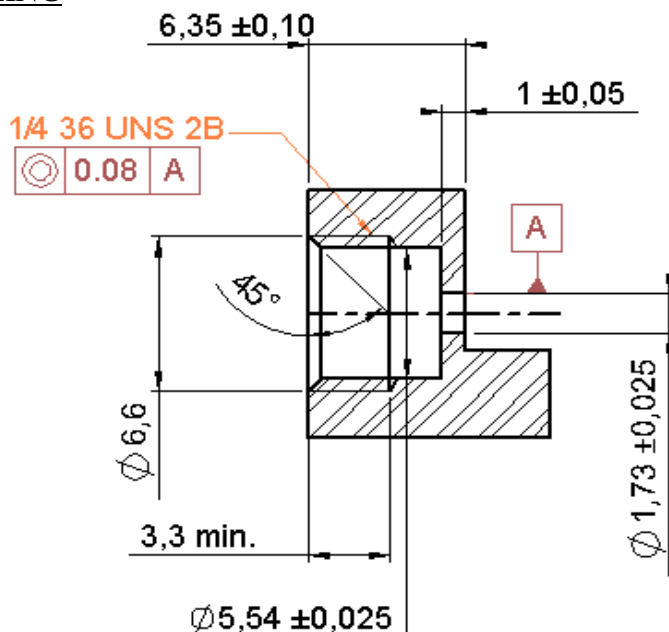


SCREW ON FEMALE RECEPTACLE
HERMETIC-WITH CYLINDRICAL CONTACT

R125.609.000

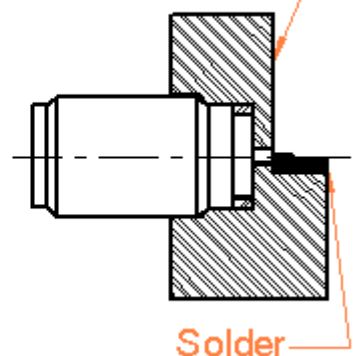
Series : SMA

PANEL DRILLING



RECOMMENDED MOUNTING HOLE DETAIL

Panel deformation less than 25μ



Assemble metal gasket onto connector.
 Screw both parts into the housing.
 Tighten the connector up to 280Ncm +or-
 10Ncm (use special tooling set RADIALL
 R282 341).
 Thus the connexion hermeticity is
 guaranteed at $1 \cdot 10^{-5}$ atm. cm³/s.
 Then solder the pin on the track.
 Be careful not to put too much solder.

Issue : 0837 D

In the effort to improve our products, we reserve the right to make changes judged to be necessary.

